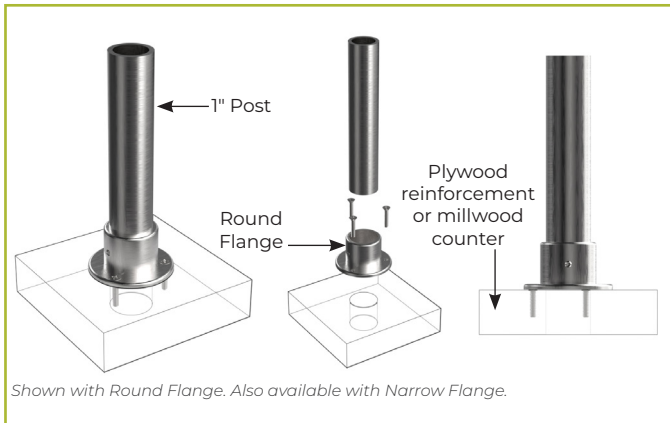


# Mounting Options for 1" Round Post

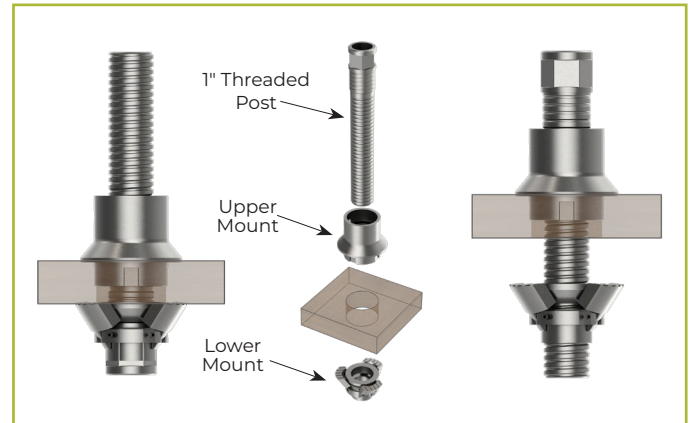
## MILLWORK COUNTERTOP

Above Counter - Millwork Mount

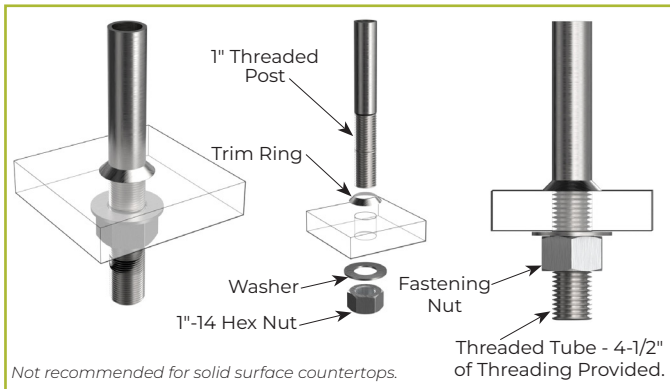


## STAINLESS STEEL COUNTERTOP

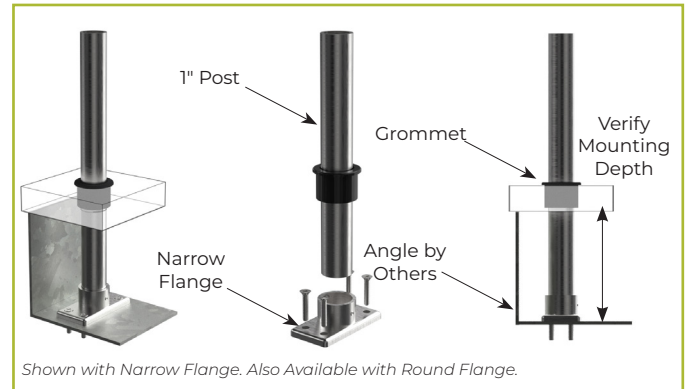
Above Counter - Triton Mount



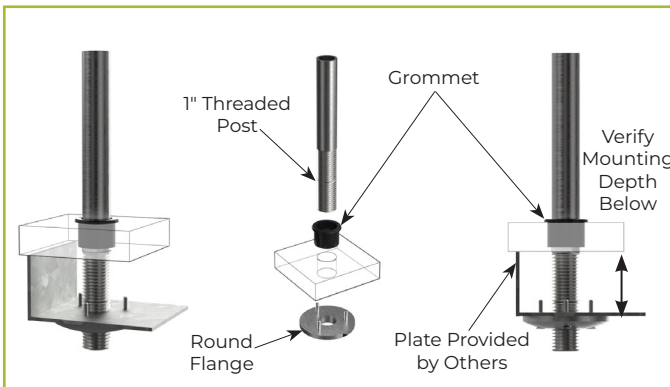
Below Counter - Compression Flange Mount



Below Counter - Upright Flange Mount w/ Plate



Below Counter - Inverted Flange with Plate



Below Counter - Inverted Flange with Plate

